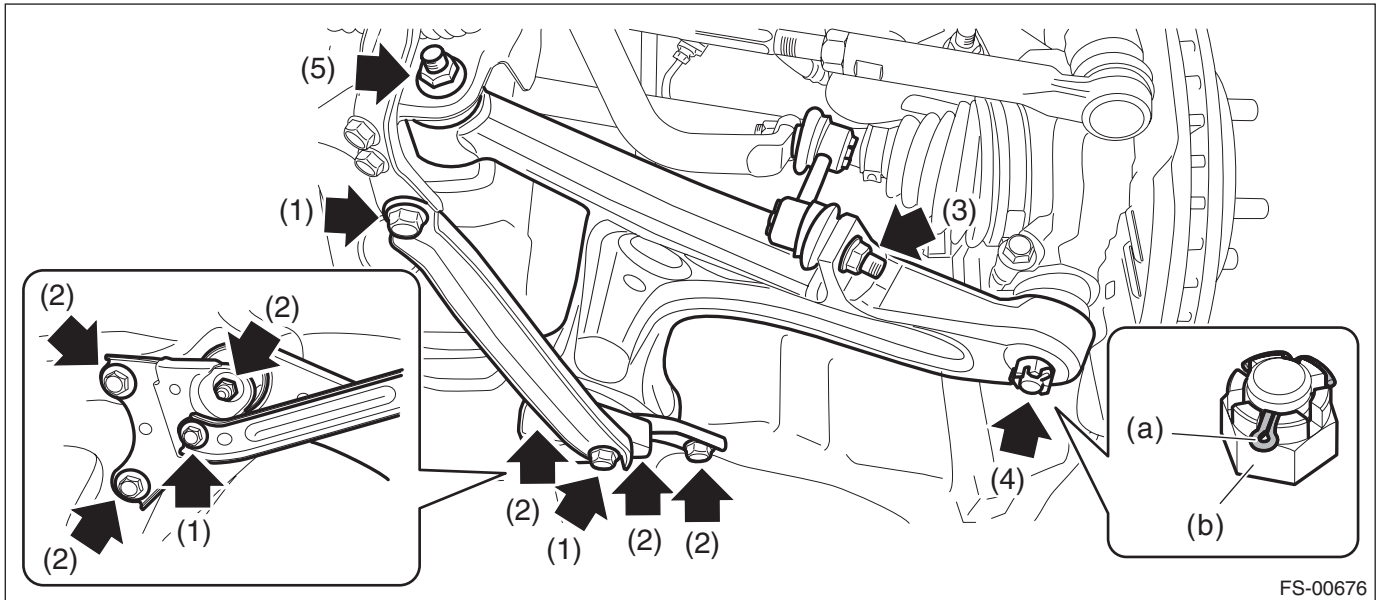


## 7. Front Arm

### A: REMOVAL

- 1) Lift up the vehicle, and then remove the front wheels.
- 2) Remove the under cover - front. <Ref. to EI-21, REMOVAL, Front Under Cover.>
- 3) Remove the front arm assembly.
  - (1) Remove the bolt, and then detach the front support.
  - (2) Remove the bolts and nuts, and then remove the front arm rear plate.
  - (3) Remove the nut and disconnect the stabilizer link assembly.
  - (4) Pull out the cotter pin (a), remove the castle nut (b), and remove the ball joint assembly from front arm assembly.
  - (5) Remove the nuts, pull out the flange bolt, and remove the front arm assembly.



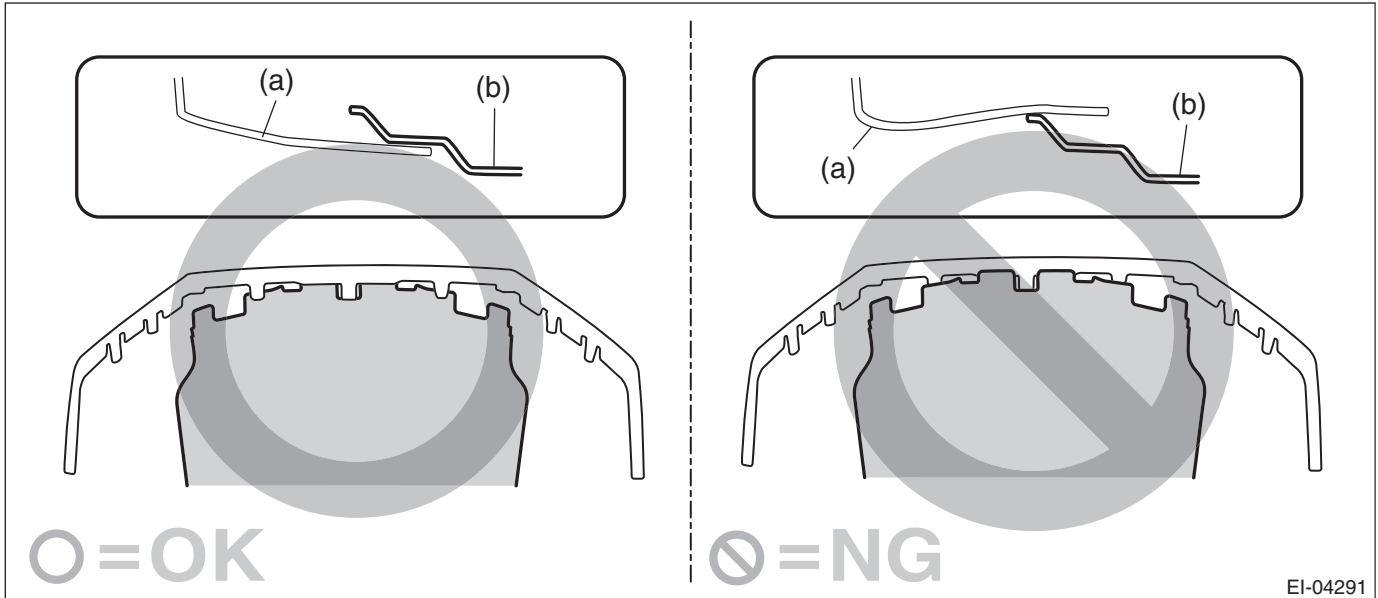
# Front Arm

## FRONT SUSPENSION

### B: INSTALLATION

#### CAUTION:

- For parts which are not reusable, always use new parts.
- Install the under cover - front so that the front end of the under cover (b) comes inside the bumper face - front (a).



1) Before installation, inspect the following items and replace any faulty part with a new one.

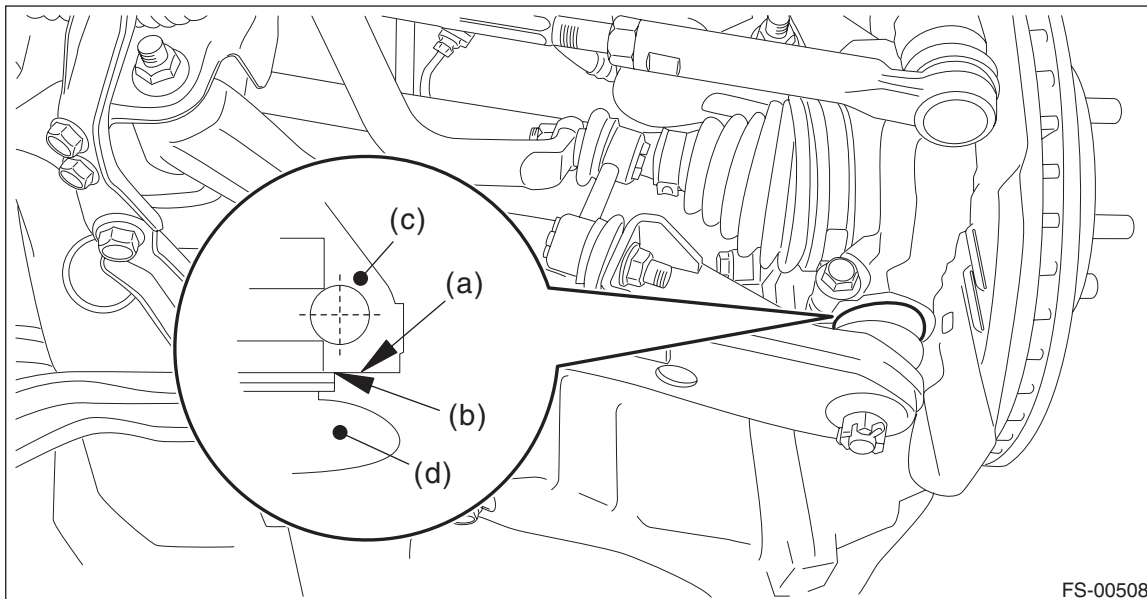
- Check the front arm assembly for damage or cracks, and replace if defective.
- Visually check the bushing for abnormal cracks, fatigue or damage.
- Visually check the dust cover on the ball joint assembly for damage.

2) Using new self-locking nuts and flange bolts, temporarily tighten the front arm assembly to the front cross-member assembly.

3) Connect the front arm assembly to the ball joint assembly.

**CAUTION:**

**Before tightening, make sure the bottom surface of the housing assembly - front axle and the stepped section of ball joint are in contact.**



FS-00508

- |   |                               |                     |
|---|-------------------------------|---------------------|
| (a) Bottom surface of housing ASSY - front axle | (c) Housing ASSY - front axle | (d) Ball joint ASSY |
| (b) Raised section of ball joint                |                               |                     |

**Tightening torque:**

**50 N·m (5.1 kgf-m, 36.9 ft-lb)**

4) Install the stabilizer link assembly.

**Tightening torque:**

**60 N·m (6.1 kgf-m, 44.3 ft-lb)**

5) Install the under cover - front. <Ref. to EI-22, INSTALLATION, Front Under Cover.>

6) Install the front wheels.

**Tightening torque:**

**120 N·m (12.2 kgf-m, 88.5 ft-lb)**

7) Unload the vehicle from the lift, and tighten the bolt which secures the front arm assembly to the front crossmember assembly while the wheels are in full contact with the ground and the vehicle is at curb weight.

**Tightening torque:**

**Refer to “COMPONENT” of “General Description” for the tightening torque. <Ref. to FS-4, FRONT SUSPENSION, COMPONENT, General Description.>**

8) Inspect the wheel alignment and adjust if necessary.

- Inspection: <Ref. to FS-10, INSPECTION, Wheel Alignment.>
- Adjustment: <Ref. to FS-15, ADJUSTMENT, Wheel Alignment.>

**CAUTION:**

**When the wheel alignment has been adjusted, perform “VDC sensor midpoint setting mode” of the VDC. <Ref. to VDC-16, ADJUSTMENT, VDC Control Module and Hydraulic Control Unit (VDCCM&H/U).>**

9) Perform reinitialization of the auto headlight beam leveler system. (Model with auto headlight beam leveler) <Ref. to LI-16, PROCEDURE, Auto Headlight Beam Leveler System.>

# Front Arm

## FRONT SUSPENSION

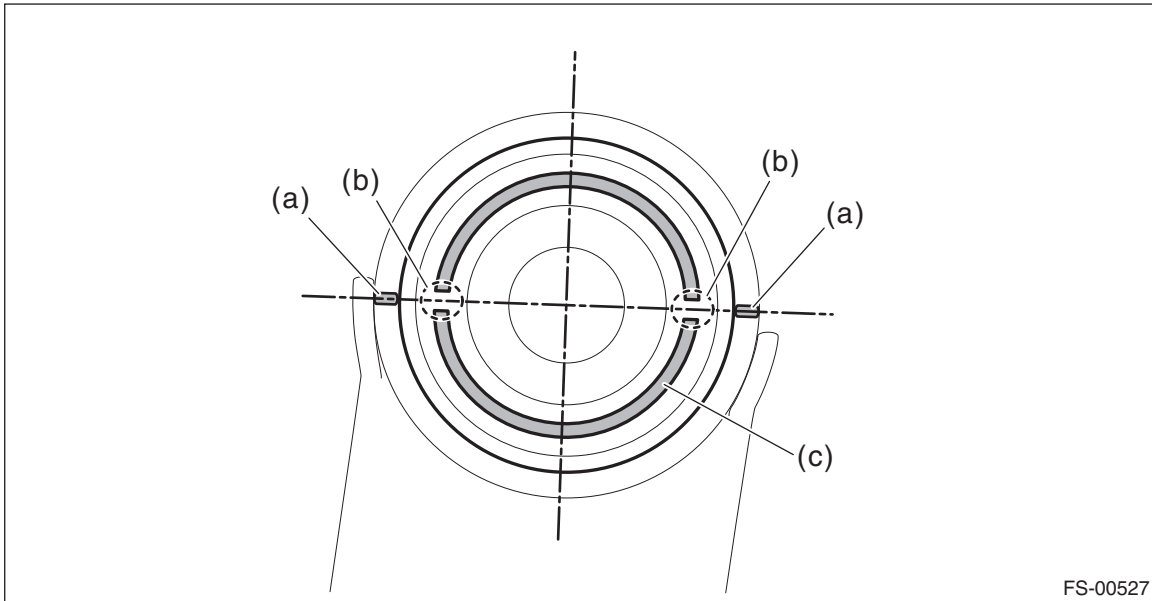
### C: DISASSEMBLY

#### 1. BUSHING FRONT - FRONT ARM

1) Put an alignment mark on the front arm assembly based on the split portion of the bushing intermediate plate of the busing front - front arm.

**CAUTION:**

**Always put an alignment mark for aligning the position on bushing installation.**

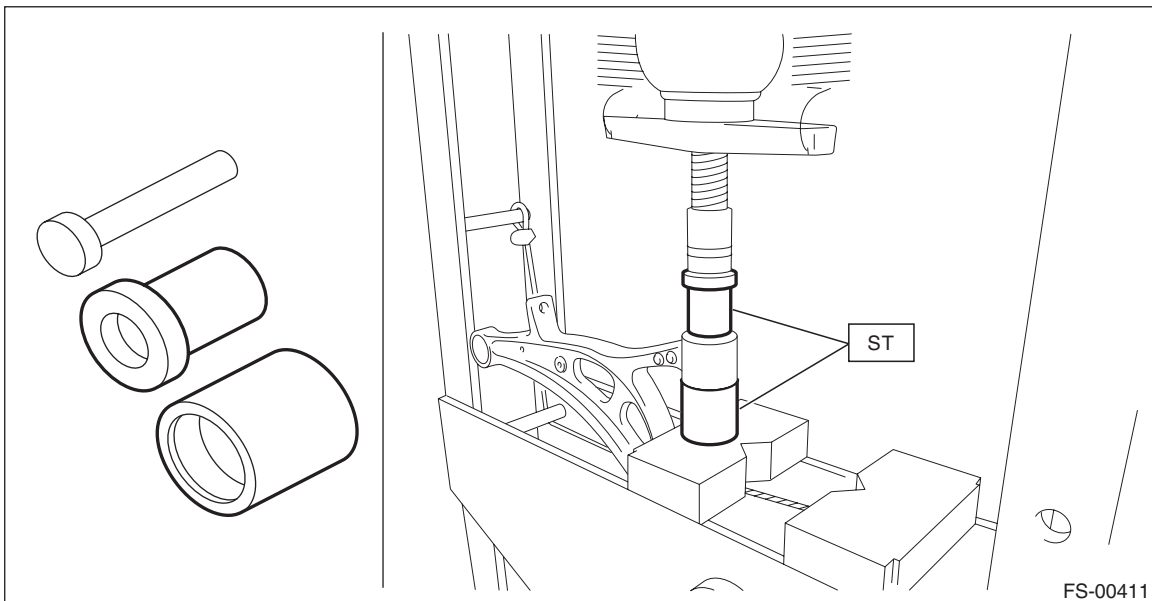


- (a) Put an alignment mark.      (b) Split portion of bushing intermediate plate      (c) Bushing intermediate plate

2) Using the ST and a press, remove the busing front - front arm.

**Preparation tool:**

**ST: INSTALLER & REMOVER SET (927680000)**



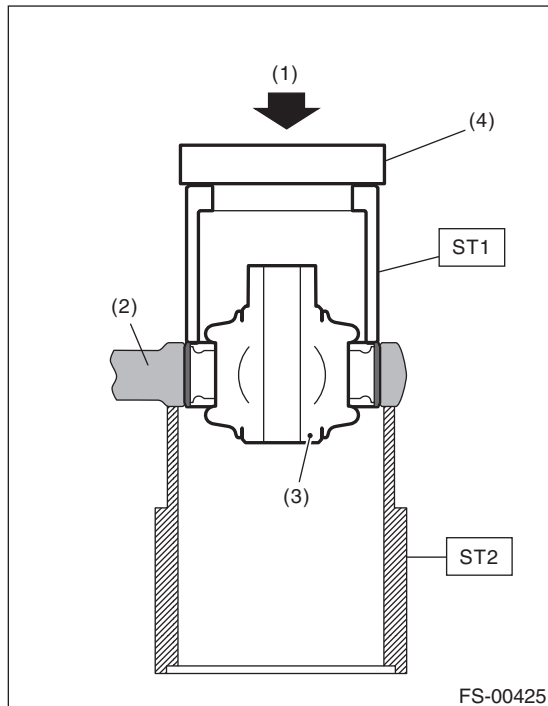
## 2. BUSHING REAR - FRONT ARM

- 1) Put an alignment mark on the front arm assembly based on the center of recess portion of the bushing rear - front arm.
- 2) Using the ST and a press, remove the bushing rear - front arm.

**Preparation tool:**

**ST1: INSTALLER & REMOVER (20099AE020)**

**ST2: HOUSING STAND (28099PA010)**



- (1) Press
- (2) Front arm ASSY
- (3) Bushing rear - front arm
- (4) Plate

**NOTE:**

Place a metal plate on the ST1 to use the press.

# Front Arm

## FRONT SUSPENSION

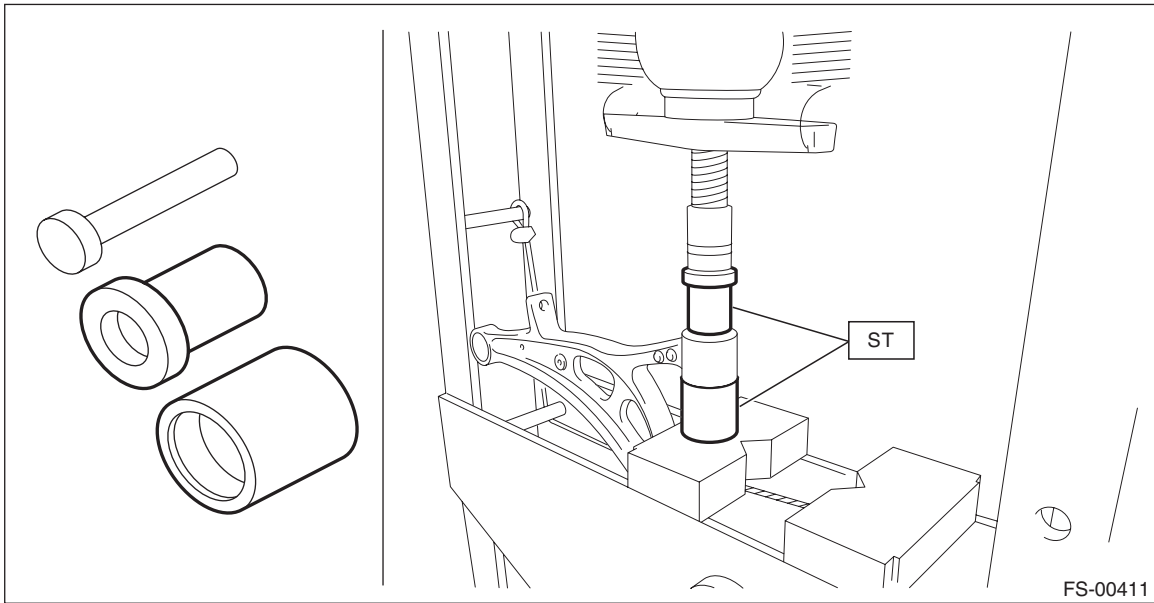
### D: ASSEMBLY

#### 1. BUSHING FRONT - FRONT ARM

- 1) Before assembly, inspect the following items and replace any faulty part with a new one.
  - Check the front arm assembly for damage or cracks, and replace if defective.
  - Visually check the bushing for abnormal cracks, fatigue or damage.
  - Visually check the dust cover on the ball joint assembly for damage.
- 2) Align the alignment mark on the front arm assembly to the split portion of the bushing intermediate plate of the busing front - front arm.
- 3) Using the ST and a press, assemble the busing front - front arm.

**Preparation tool:**

**ST: INSTALLER & REMOVER SET (927680000)**



## 2. BUSHING REAR - FRONT ARM

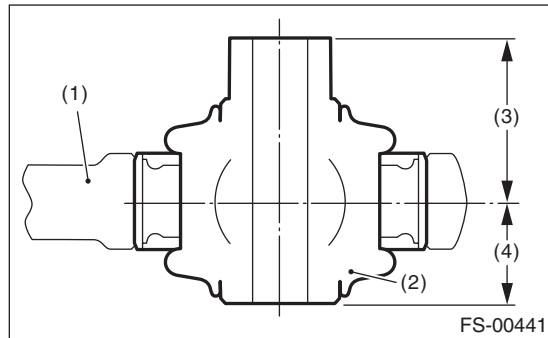
1) Before installation, inspect the following items and replace any faulty part with a new one.

- Check the front arm assembly for damage or cracks, and replace if defective.
- Visually check the bushing for abnormal cracks, fatigue or damage.
- Visually check the dust cover on the ball joint assembly for damage.

2) Using the ST and a press, install the busing rear - front arm.

### CAUTION:

**Install with the longer inner cylinder of the pillow ball bushing facing upward and the shorter facing downward.**

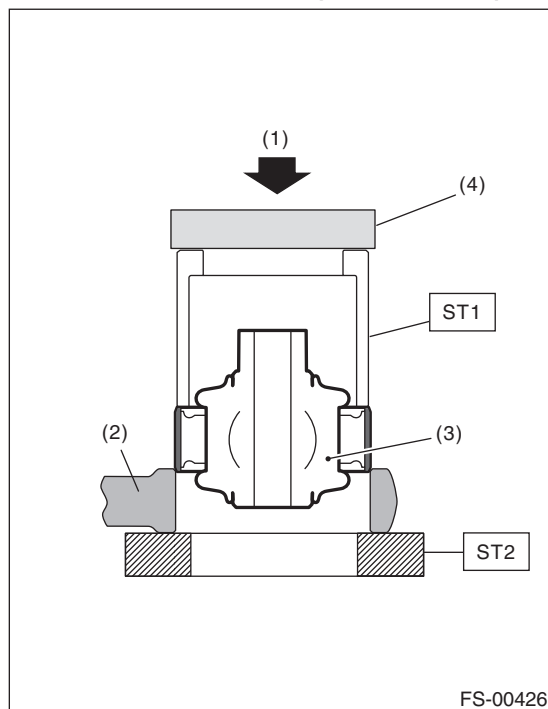


- (1) Front arm
- (2) Bushing inner cylinder
- (3) Longer
- (4) Shorter

### Preparation tool:

**ST1: INSTALLER & REMOVER (20099AE020)**

**ST2: HOUSING STAND (28099PA010)**



- (1) Press
- (2) Front arm ASSY
- (3) Bushing rear - front arm
- (4) Plate